

# LED RING LIGHT GIT-LEDR72

## Brief Introduction

LED ring light is applicable to inspection, image processing, and the illumination of various stereo microscope and machine vision.

With stable and reliable performance, the LED ring light is light and handy with elegant shell and has the performance of low power consumption, low temperature and high brightness. It's design of four zones of lighting are controllable, satisfying illumination of different angles light.

It's new practical metal shell has good insulation and anti-static function; and It not only results in top quality illustration of the product as balance, flash free and free of shadow, but also strengthens the service life of the lamp consumedly. In addition, consumers can chose matching polarizers, filters, soft-focus attachment according to his or her needs to control the filter of illumination light, and to reduce dazzle light interference so as to improve the imaging quality. It is equipped with a broadband adapter with power plug consistent with the export certification, thus it can be used in various countries.



## Technical parameters:

- Input Power: DC12V 600mA
- Input Voltage: Universal (100 - 240V AC)
- Color temperature:  $\pm 6000K$
- LED Brightness:  $>12000\text{mcd}$
- The effective working distance :95-115mm
- Condensation: diameter  $\Phi 30\text{mm}$
- LED angle:  $18^\circ$  (consistency)
- LED Quantity: 72pcs
- LED service life:  $>100\text{kh}$
- LED colors: white (other colors are optional)
- ESD design
- Lighting controller: with four continuous shining control buttons of four-zone lighting
- Dimension of Ring light: Outer diameter: 98mm, Inner diameter: 58mm
- Standard neutral packing

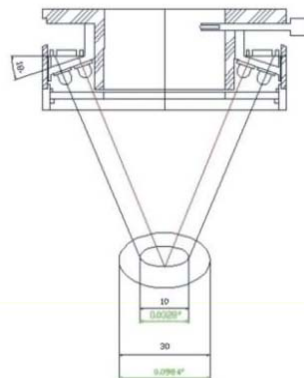
## Standard accessories:

- Ring light source lamp body with 72 pieces of bulbs, light source controller, DC12V power supply plug2.
- Power Cord Options Plugs:UK System, US System, Europe System, Australia system, Other System

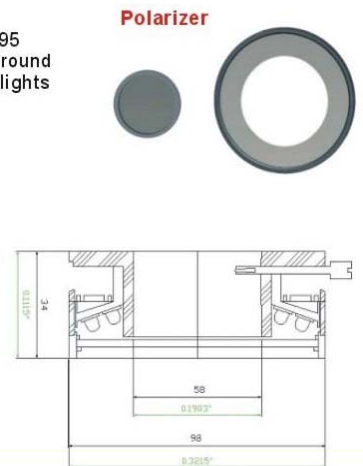
## Optional Accessories:

- Polarizer: A piece of polarizer of  $\Phi 26/\Phi 48$ (can only chose one) and analyzer of  $\Phi 95$
- Red optical filter of  $\Phi 95$  suits inspection of green plant or the sample with green background
- Soft-focus attachment of  $\Phi 95$  suits the inspection of sample with heavy reflecting lights

## Diagram:



Light spot diagram



Cross section